



## Puddle Flanges

YTMPipe puddle flanges are manufactured using supreme quality stainless steel and progressive technology as per the global standards. Steel and stainless steel wall sleeves are generally built into walls, floor plates or ceilings during the process of shuttering. They are designed to take in seal inserts for pipe or cable penetrations.

### Materials:

- Stainless steel V2A/AISI 304 or V4A 316Ti
- Carbon Steel ST37,ST42,ST52 etc
- Galvanised or Plain Black

**Area of usage :** Stainless steel wall sleeves are mainly used in the construction of drinking water facilities, chemical facilities and sewage plants due to their high resistance to corrosion.



If corrosion resistance is not a main priority, it is more economical to use galvanized or plain black puddle flanges. Steel wall sleeves are often provided with a seamlessly or longitudinal welded flange ring to secure them against water penetration caused by capillary action.

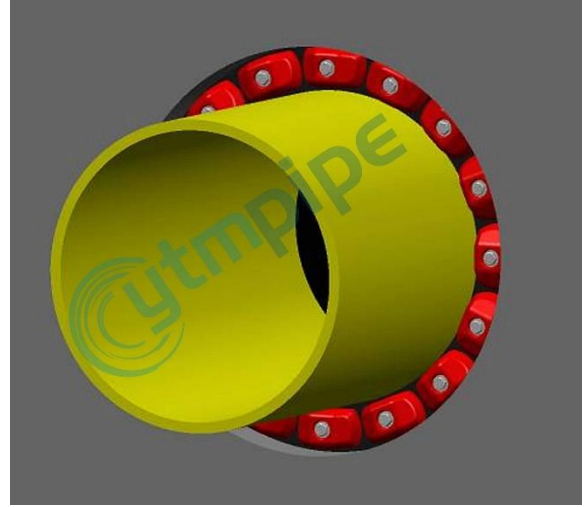
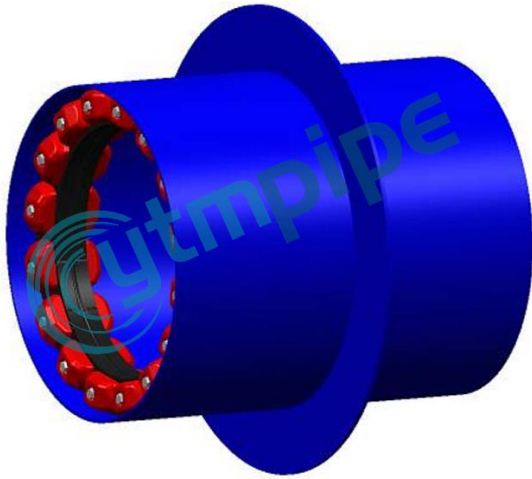
| Sleeve Nom.Pipe Size [mm] | Inside Diameter [mm] | Length [mm] | Height of Collar [mm] | Sleeve Nominal Pipe Size [mm] | Inside Diameter [mm] | Length [mm] | Height of Collar [mm] |
|---------------------------|----------------------|-------------|-----------------------|-------------------------------|----------------------|-------------|-----------------------|
| 50,8                      | 52,5                 | 300         | 50                    | 600                           | 590,55               | 300         | 50                    |
| 63,5                      | 62,7                 | 300         | 50                    | 660,4                         | 641,4                | 300         | 50                    |
| 76,2                      | 77,9                 | 300         | 50                    | 711,2                         | 692,2                | 300         | 50                    |
| 88,9                      | 90,1                 | 300         | 50                    | 762                           | 743,0                | 300         | 50                    |
| 101,6                     | 102,3                | 300         | 50                    | 812,8                         | 793,8                | 300         | 50                    |
| 127                       | 128,2                | 300         | 50                    | 863,6                         | 844,6                | 300         | 50                    |
| 152,4                     | 154,1                | 300         | 50                    | 914,4                         | 895,4                | 300         | 50                    |
| 203,2                     | 202,7                | 300         | 50                    | 965,2                         | 946,2                | 300         | 50                    |
| 254                       | 254,5                | 300         | 50                    | 1016                          | 997,0                | 300         | 50                    |
| 304,8                     | 304,8                | 300         | 50                    | 1066,8                        | 1047,8               | 300         | 50                    |
| 355,6                     | 336,6                | 300         | 50                    | 1117,6                        | 1098,6               | 300         | 50                    |
| 406,4                     | 387,4                | 300         | 50                    | 1168,4                        | 1149,4               | 300         | 50                    |
| 457,2                     | 438,2                | 300         | 50                    | 1219,2                        | 1200,2               | 300         | 50                    |
| 508                       | 489,0                | 300         | 50                    | 1270                          | 1251,0               | 300         | 50                    |
| 558,8                     | 539,8                | 300         | 50                    | 1320,8                        | 1301,8               | 300         | 50                    |
| 609,6                     | 590,6                | 300         | 50                    | 1371,6                        | 1352,6               | 300         | 50                    |

\*For Specific dimensions please ask us availability.



## Puddle Flanges

Our Puddle Flanges are also capable with Pipe Seals, Pipe Penetration Seals for smooth connection.





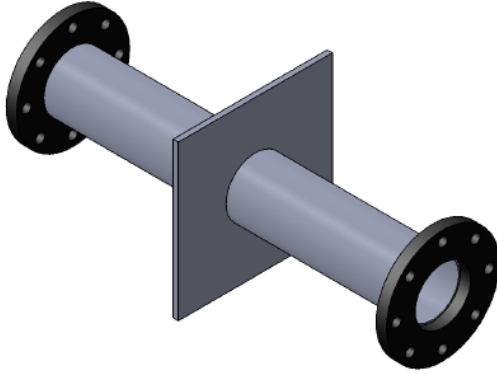
## Optional Puddle Flanges

### DUCTILE & Steel PUDDLE FLANGES



#### Cast Iron Puddle Flanges

|                  |                       |
|------------------|-----------------------|
| <u>Material</u>  | : GGG50               |
| <u>Coating</u>   | : Rubber Based Bitume |
| <u>Dimension</u> | : DN50 to DN 1000     |



#### Carbon Steel Puddle Flanges

|                  |                   |
|------------------|-------------------|
| <u>Material</u>  | : ST37;ST52 etc   |
| <u>Coating</u>   | : Epoxy etc.      |
| <u>Dimension</u> | : DN50 to DN 3000 |

