



FORGED FITTINGS

MEASUREMENTS

ANSI B16.49 / DIN 2606 AND custom drawings

DIMENSIONS

½" – 216" / DN 10 – DN 5500

WALL THICKNESS

SCH 5S – SCH XXS

MATERIAL QUALITIES

ASTM A 234 WPA

ASTM A 234 WPB -

ASTM A 234 WPC - ASTM A 420 WPL6 -

WPHY 42/52/60/65/70

P235 – P265 – P245 – AE250 – ST 37 –ST35.8

ASTM A 234 WP1- WP11 - WP12 - WP22 -

WP5 - WP9 - WP91 - WP92 16 Mo 3,

13 CrMo 44, 10 CrMo 9 – 10

ASTM A 403 WP 304 / 304 L / 304 H

ASTM A 403 WP 321 / 321 H

ASTM A 403 WP 347 / 347 H

ASTM A 312 WP 316 / 316 L / 316 H/316 Ti

1.4301 / 1.4307 / 1.4541

1.4401 / 1.4404 / 1.4571

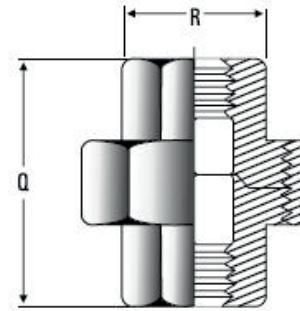
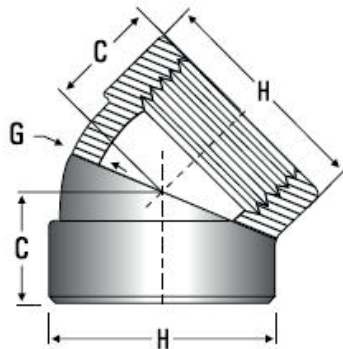
Duplex - Super Duplex - Inconel - Incoloy -

Monel - Hastelloy - Titanium / Ti-G

THREADED FITTING DIMENSION CLASS 3000

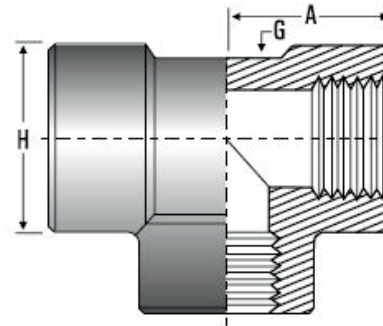
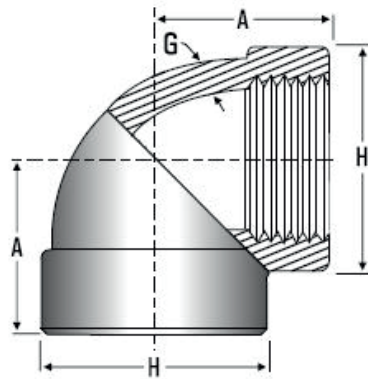
ASME B16.11-2011

THREADED 45° ELBOW



THREADED UNION

THREADED 90° ELBOW



THREADED TEE

SIZE	1/4"	3/8"	1/2"	3/4"	1"	1 1/4"	1 1/2"	2"	2 1/2"	3"	4"
A	25	28	33	38	44	51	60	64	83	95	114
B	11	23	14	16	19	21	21	22	27	28	32
C	19	22	25	28	33	35	43	44	52	64	79
D	19	22	28	35	44	57	64	76	92	108	140
E	15	18	22	27	35	-	50	62	-	-	-
F	16	18	22	27	36	46	50	65	75	90	115
G	3,3	3,51	4,09	4,32	4,98	5,28	5,56	7,14	7,65	8,84	11,18
H	25	33	38	46	56	62	75	84	102	121	152
I	4,8	4,8	6,4	6,4	9,7	9,7	11,2	12,7	15,7	19	22,4
J	6	8	8	10	10	14	16	18	19	21	25
P	25	25	32	37	41	44	44	48	60	65	68
Q	42,5	47,5	52	57	63	68	78	91	120	120	148
R	36	41	46	56	65	80	88	105	122	144	200
T	6	8	8	10	10	-	16	17	-	-	-
W	35	38	48	51	60	67	79	86	92	108	121
X	8	11	14	19	24	-	38	49	-	-	-
Y	36	40	48	52	60	-	68	71	-	-	-

Dimensions are in mm.