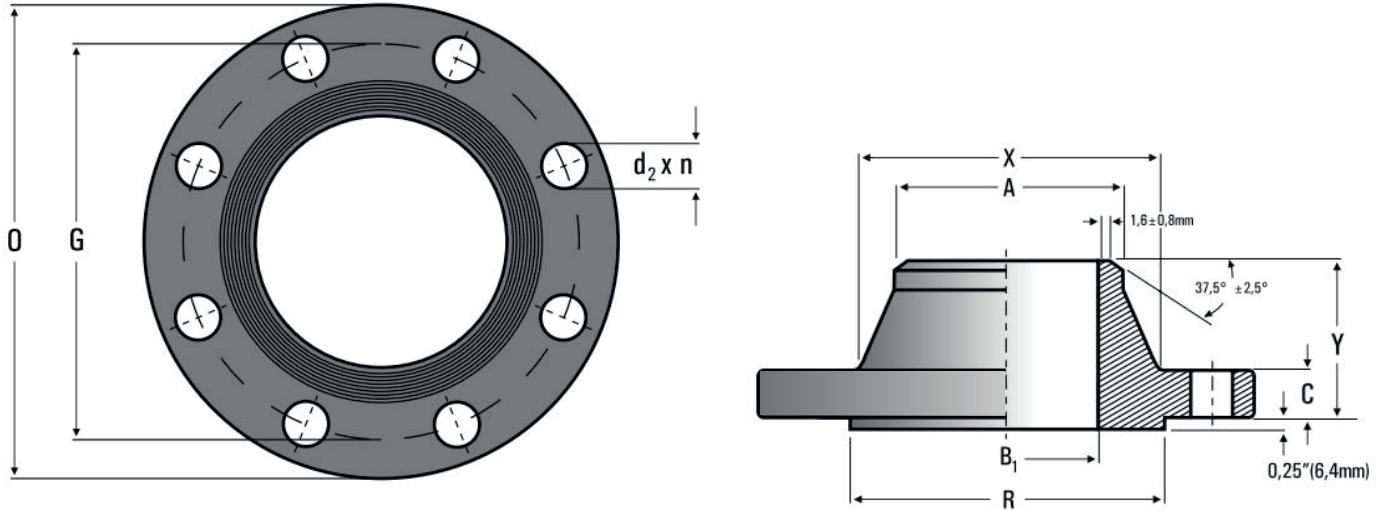


Welding Neck Flange Class 900

(ASME B 16.5-1996 + MSS-SP 44 -1996) B16.47-A / B16.47-B



PIPE		O	Cmin	R	DRILLINGS			B1	X	A	Y	WEIGHT[kg]
DN	NPS				n	G	d2					
ASME B16.5-1996												
15	1/2"	121	22.4	34.9	4	82.6	22.2	38	21.3	60	2	
20	3/4"	130	25.4	42.9	4	88.9	22.2	44	26.7	70	3	
25	1"	149	28.4	50.8	4	101.6	25.4	52	33.4	73	4	
32	1 1/4"	159	28.4	63.5	4	111.1	25.4	63	42.2	73	4.6	
40	1 1/2"	178	31.8	73	4	123.8	28.5	70	48.3	83	6.5	
50	2"	216	38.1	92.1	8	165.1	25.4	105	60.3	102	11.5	
65	2 1/2"	244	41.1	104.8	8	190.5	28.5	124	73	105	15.8	
80	3"	241	38.1	127	8	190.5	25.4	127	88.9	102	14.5	
100	4"	292	44.5	157.2	8	235	31.8	159	114.3	114	23	
125	S"	349	50.8	185.7	8	279.4	35	190	141.3	127	37	
150	6"	381	55.6	215.9	12	317.5	31.8	235	168.3	140	50	
200	8"	470	63.5	269.9	12	393.7	38.1	298	219.1	162	85	
250	10"	546	69.9	323.8	16	469.9	38.1	368	273	184	118	
300	12"	610	79.2	381	20	533.4	38.1	419	323.9	200	163	
350	14"	641	85.9	412.8	20	558.8	41.1	451	355.6	213	186	
400	16"	705	88.9	469.9	20	616	44.5	508	406.4	216	224	
450	18"	787	101.6	533.4	20	685.8	50.8	565	457	229	300	
500	20"	857	108	584.2	20	749.3	53.8	622	508	248	373	
600	24"	1041	139.7	692.2	20	901.7	66.5	749	610	292	680	

Changes Customer upon Request

Dimensions are in mm.