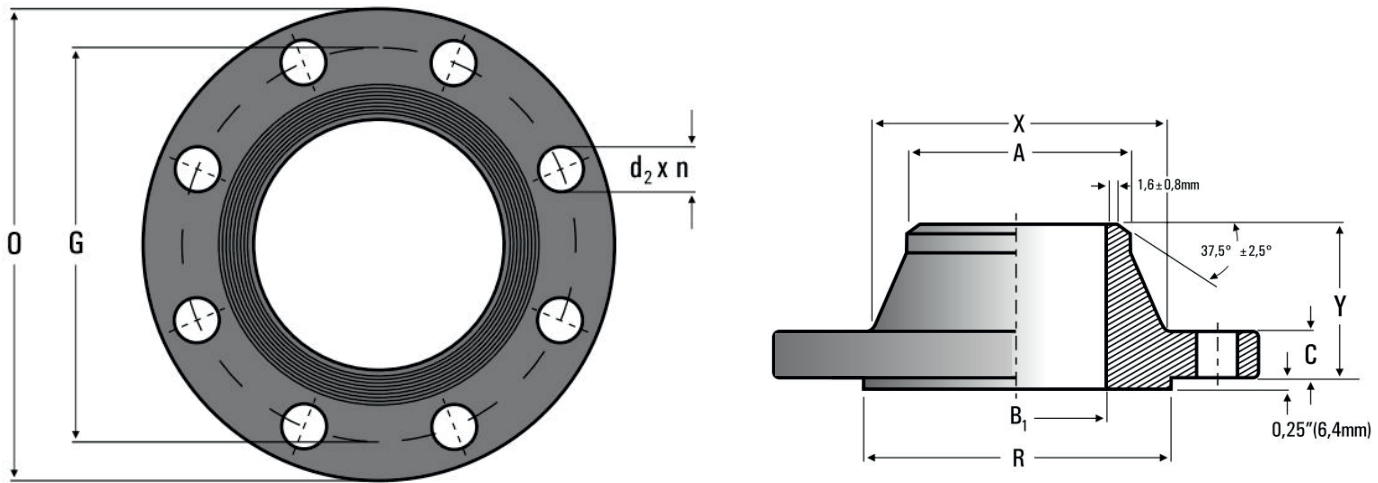


Welding Neck Flange Class 2500

(ASME B 16.5-1996 + MSS-SP 44 -1996) B16.47-A / B16.47-B



PIPE		O	Cmin	R	DRILLINGS			B1	X	A	Y	WEIGHT[kg]
DN	NPS				n	G	d2					
ASME B16.5-1996												
15	1/2"	133	30.2	34.9	4	88.9	22.2	43	21.3	73	3.6	
20	3/4"	140	31.8	42.9	4	95.3	22.2	51	26.7	79	4	
25	1"	159	35	50.8	4	108	25.4	57	33.4	89	6	
32	1 1/4"	184	38.1	63.5	4	130	28.5	73	42.2	95	9	
40	1 1/2"	203	44.5	73	4	146	31.8	79	48.3	111	13	
50	2"	235	50.8	92.1	8	171.5	28.5	95	60.3	127	19	
65	2 1/2"	267	57.2	104.8	8	196.9	31.8	114	73	143	24	
80	3"	305	66.5	127	8	228.6	35	133	88.9	168	43	
100	4"	356	76.2	157.2	8	273	41.1	165	114.3	190	66	
125	5"	419	91.9	185.7	8	323.9	47.8	203	141.3	229	111	
150	6"	483	108	215.9	8	368.3	53.8	235	168.3	273	172	
200	8"	552	127	269.9	12	438.2	53.8	305	219.1	317	261	
250	10"	673	165.1	323.8	12	539.8	66.5	375	273	419	485	
300	12"	762	184.2	381	12	619.3	73.2	441	323.9	464	730	

Changes Customer upon Request

Dimensions are in mm.