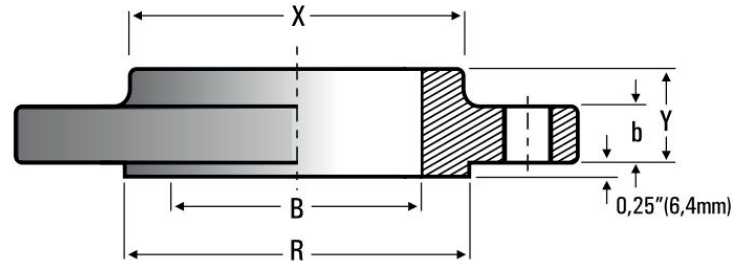
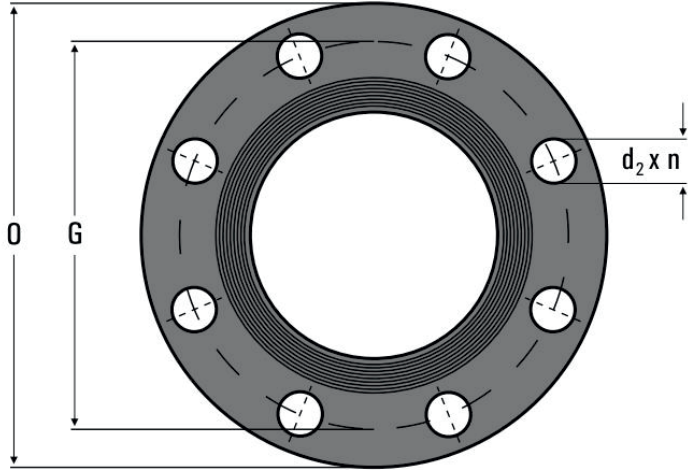


Slip On Flange Class 600

ASME B 16.5-1996



PIPE		O	Cmin	R	DRILLINGS			T	X	Y	WEIGHT[kg]
DN	NPS				n	G	d2				
15	1/2"	95	14.2	34.9	4	66.7	15.8	22.4	38	22	1.3
20	3/4"	117	15.7	42.9	4	82.6	19	27.7	48	25	1.4
25	1"	124	17.5	50.8	4	88.9	19	34.5	54	27	1.8
32	1 1/4"	133	20.6	63.5	4	98.4	19	43.2	64	29	2.1
40	1 1/2"	156	22.4	73	4	114.3	22.2	49.5	70	32	3.1
50	2"	165	25.4	92.1	8	127	19	62	84	37	4
65	2 1/2"	190	28.4	104.8	8	149.2	22.2	74.7	100	41	5.4
80	3"	210	31.8	127	8	168.3	22.2	90.7	118	46	7
90	3 1/2"	229	35	139.7	8	184.1	25.4	103.4	133	49	8.9
100	4"	273	38.1	157.2	8	215.9	25.4	116.1	152	54	16
125	5"	330	44.5	185.7	8	266.7	28.5	143.8	189	60	25
150	6"	356	47.8	215.9	12	292.1	28.5	170.7	222	67	30
200	8"	419	55.6	269.9	12	349.2	31.8	221.5	273	76	43
250	10"	508	63.5	323.8	16	431.8	35	276.4	343	86	70
300	12"	559	66.5	381	20	489	35	327.2	400	92	86
350	14"	603	69.9	412.8	20	527	38.1	359.2	432	94	100
400	16"	686	76.2	469.9	20	603.2	41.1	410.5	495	106	142
450	18"	743	82.6	533.4	20	654	44.5	461.8	546	117	175
500	20"	813	88.9	584.2	24	723.9	44.5	513.1	610	127	221
600	24"	940	101.6	692.2	24	838.2	50.8	616	718	140	315
MSS-SP 44 • ASME B 16.47 1996 SERIE A											
650	26"	1016	108	749.3	28	914.4	50.8	666.7	747.7	222.2	444
700	28"	1073.1	111.1	800.1	28	965.2	53.8	717.5	803.3	234.9	480
750	30"	1130.3	114.3	857.2	28	1022.3	53.8	768.3	862	247.6	560
800	32"	1193.8	117.5	914.4	28	1079.5	60.5	819.1	917.6	260.3	680
850	34"	1244.6	120.7	965.2	28	1130.3	60.5	869.9	973.2	269.9	750
900	36"	1314.4	123.8	1022.3	28	1193.8	66.5	920.7	1031.9	282.6	795

Dimensions are in mm.