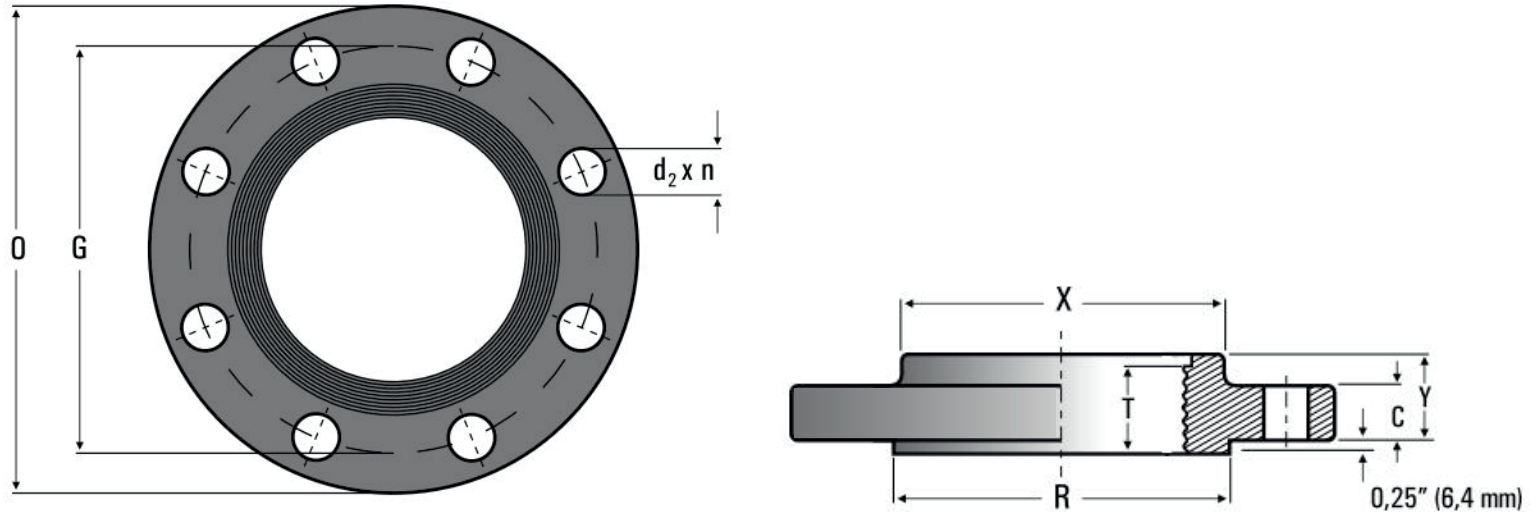


Screwed Flanges Class 600

ASME B 16.5-1996



PIPE		O	Cmin	R	DRILLINGS			T	X	Y	WEIGHT[kg]
DN	NPS				n	G	d2				
15	1/2"	95	14.2	34.9	4	66.7	15.8	16	38	22	1.4
20	3/4"	117	15.7	42.9	4	82.6	19	16	48	25	1.6
25	1"	124	17.5	50.8	4	88.9	19	18	54	27	2.1
32	1 1/4"	133	20.6	63.5	4	98.4	19	21	64	29	2.6
40	1 1/2"	156	22.4	73	4	114.3	22.2	22	70	32	3.3
50	2"	165	25.4	92.1	8	127	19	29	84	37	4.4
65	2 1/2"	190	28.4	104.8	8	149.2	22.2	32	100	41	6
80	3"	210	31.8	127	8	168.3	22.2	35	118	46	7.4
90	3 1/2"	229	35	139.7	8	184.1	25.4	40	133	49	9.5
100	4"	273	38.1	157.2	8	215.9	25.4	41	152	54	17
125	5"	330	44.5	185.7	8	266.7	28.5	48	189	60	27
150	6"	356	47.8	215.9	12	292.1	28.5	51	222	67	32
200	8"	419	55.6	269.9	12	349.2	31.8	57	273	76	46
250	10"	508	63.5	323.8	16	431.8	35	65	343	86	74
300	12"	559	66.5	381	20	489	35	70	400	92	90
350	14"	603	69.9	412.8	20	527	38.1	73	432	94	108
400	16"	686	76.2	469.9	20	603.2	41.1	78	495	106	150
450	18"	743	82.6	533.4	20	654	44.5	79	546	117	188
500	20"	813	88.9	584.2	24	723.9	44.5	82	610	127	230
600	24"	940	101.6	692.2	24	838.2	50.8	92	718	140	325

Dimensions are in mm