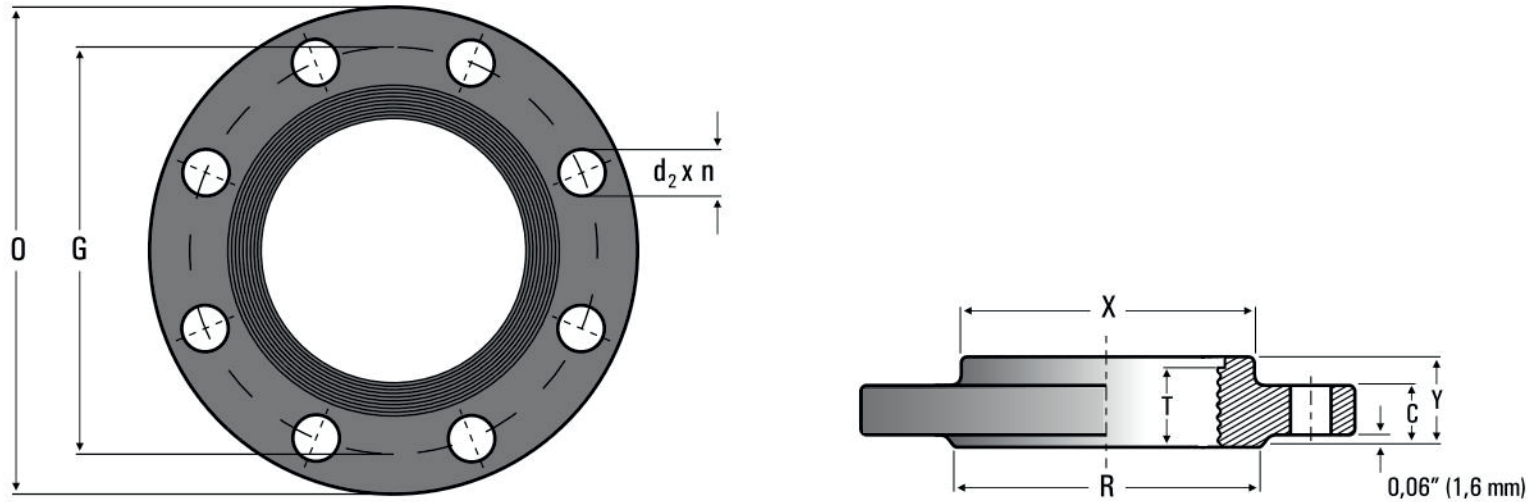


Screwed Flanges Class 300

ASME B 16.5-1996



PIPE		O	Cmin	R	DRILLINGS			T	X	Y	WEIGHT[kg]
DN	NPS				n	G	d2				
15	1/2"	95	14.2	34.9	4	66.7	15.8	16	38	22	1.2
20	3/4"	117	15.7	42.9	4	82.6	19	16	48	25	1.3
25	1"	124	17.5	50.8	4	88.9	19	18	54	27	1.4
32	1 1/4"	133	19	63.5	4	98.4	19	21	63	27	1.9
40	1 1/2"	156	20.6	73	4	114.3	22.2	22	70	30	2.8
50	2"	165	22.4	92.1	8	127	19	29	84	33	3.3
65	2 1/2"	190	25.4	104.8	8	149.2	22.2	32	100	38	4.6
80	3"	210	28.4	127	8	168.3	22.2	32	117	43	6.3
90	3 1/2"	229	30.2	139.7	8	184.1	22.2	37	133	44	7.8
100	4"	254	31.8	157.2	8	200	22.2	37	146	48	10.2
125	5"	279	35	185.7	8	235	22.2	43	178	51	12.9
150	6"	318	36.6	215.9	12	269.9	22.2	46	206	52	18
200	8"	381	41.1	269.9	12	330.2	25.4	51	260	62	26
250	10"	444	47.8	323.8	16	387.4	28.5	56	320	66	38
300	12"	521	50.8	381	16	450.8	31.8	61	375	73	52
350	14"	584	53.8	412.8	20	514.4	31.8	64	425	76	74
400	16"	648	57.2	469.9	20	571.5	35	68	483	83	100
450	18"	711	60.5	533.4	24	628.6	35	70	533	89	127
500	20"	775	63.5	584.2	24	685.8	35	73	587	95	147
600	24"	914	69.9	692.2	24	812.8	41.1	83	701	106	213

Dimensions are in mm.