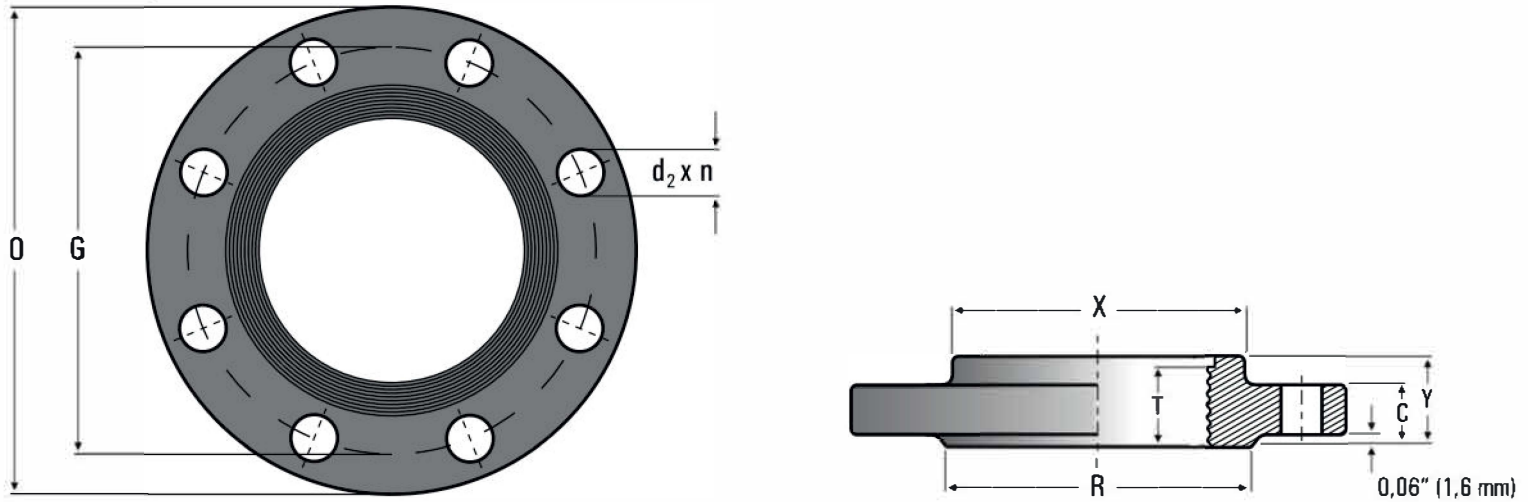


## Screwed Flanges Class 150

ASME B 16.5-1996



PIPE		O	Cmin	R	DRILLINGS			T	X	Y	WEIGHT[kg]
DN	NPS				n	G	d2				
15	1/2"	89	11.2	34.9	4	60.3	15.8	16	30	16	0.8
20	3/4"	99	12.7	42.9	4	69.8	15.8	16	38	16	0.9
25	1"	108	14.3	50.8	4	79.4	15.8	18	49	17	1
32	1 1/4"	117	15.7	63.5	4	88.9	15.8	21	59	21	1.3
40	1 1/2"	127	17.5	73	4	98.4	15.8	22	65	22	1.5
50	2"	152	19.1	92.1	4	120.6	19	25	78	25	2.3
65	2 1/2"	178	22.3	104.8	4	139.7	19	29	90	29	3.7
80	3"	190	23.9	127	4	152.4	19	30	108	30	4.2
90	3 1/2"	216	23.9	139.7	8	177.8	19	32	122	32	5.3
100	4"	229	23.9	157.2	8	190.5	19	33	135	33	5.9
125	5"	254	23.9	185.7	8	215.9	22.2	37	164	37	7
150	6"	279	25.4	215.9	8	241.3	22.2	40	192	40	8.5
200	8"	343	28.5	269.9	8	298.4	22.2	44	246	44	13.5
250	10"	406	30.2	323.8	12	362	25.4	49	305	49	19.5
300	12"	483	31.8	381	12	431.8	25.4	56	365	56	29
350	14"	533	35	412.8	12	476.2	28.5	57	400	57	39
400	16"	597	36.6	469.9	16	539.8	28.5	64	457	63	47
450	18"	635	39.7	533.4	16	577.8	31.8	68	505	68	54
500	20"	698	42.9	584.2	20	635	31.8	73	559	73	70
600	24"	813	47.7	692.2	20	749.3	35	83	664	83	95

Dimensions are in mm.