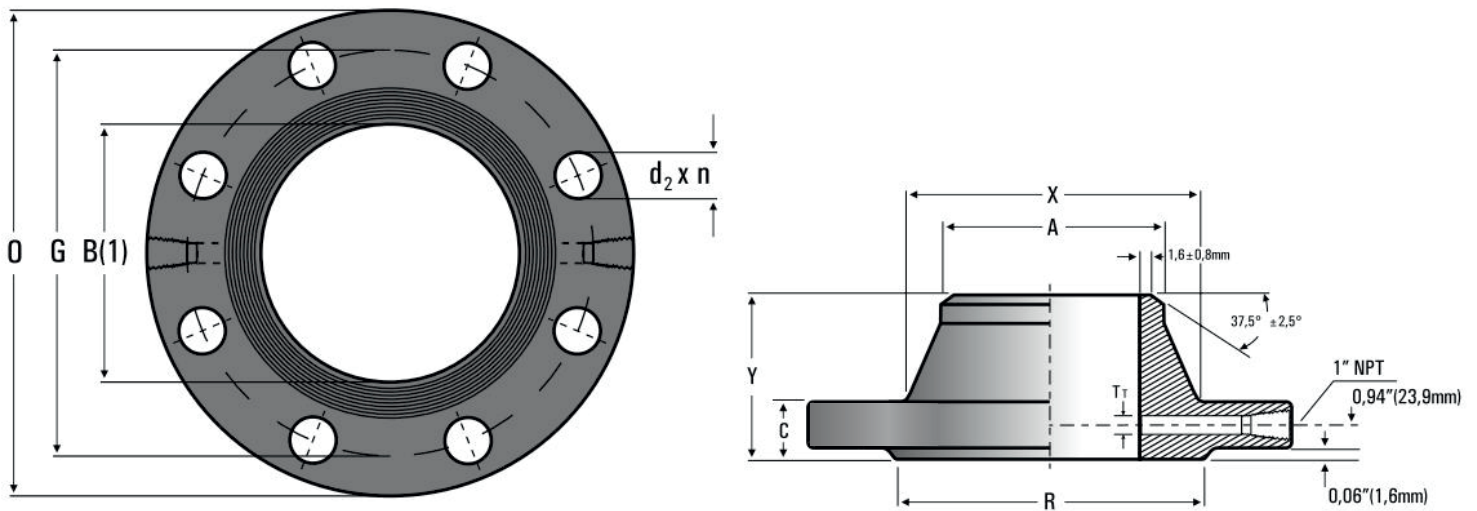


Orifice Welding Neck Flange Class 300

(ASME B 16.5-1996 + MSS-SP 44 -1996) B16.47-A / B16.47-B



PIPE		O	A	Tt	Cmin	Y	X	R	DRILLINGS			WEIGHT[kg]
DN	NPS								n	G	d2	
ASME B16.5-1996												
25	1"	124	33.4	6.4	36.6	81	54	50.8	4	88.9	19	5
40	1 1/2"	156	48.3	6.4	36.6	84.9	70	73	4	114.3	22.2	7.8
50	2"	165	60.3	6.4	36.6	84.3	84	92.1	8	127	19	8.3
65	2 1/2"	190	73	6.4	36.6	87.3	100	104.8	8	149.2	22.2	10.8
80	3"	210	88.9	9.5	36.6	87.3	118	127	8	168.3	22.2	12.6
100	4"	273	114.3	12.7	38.1	102.6	152	157.2	8	215.9	25.4	19
150	6"	356	168.3	12.7	47.8	117.3	222	215.9	12	292.1	28.5	37
200	8"	419	219.1	12.7	55.6	133.4	273	269.9	12	349.2	31.8	53
250	10"	508	273	12.7	63.5	152.4	343	323.8	16	431.8	35	86
300	12"	559	323.9	12.7	66.5	155.4	400	381	20	450.8	31.8	62
350	14"	584	355.6	12.7	53.8	142.7	425	412.8	20	514.4	31.8	84
400	16"	648	406.4	12.7	57.2	146	483	469.9	20	571.5	35	111
450	18"	711	457	12.7	60.5	158.8	533	533.4	24	628.6	35	138
500	20"	775	508	12.7	63.5	162.1	587	584.2	24	685.8	35	171
600	24"	914	610	12.7	69.9	168.1	701	692.2	24	812.8	41.1	247

Dimensions are in mm.