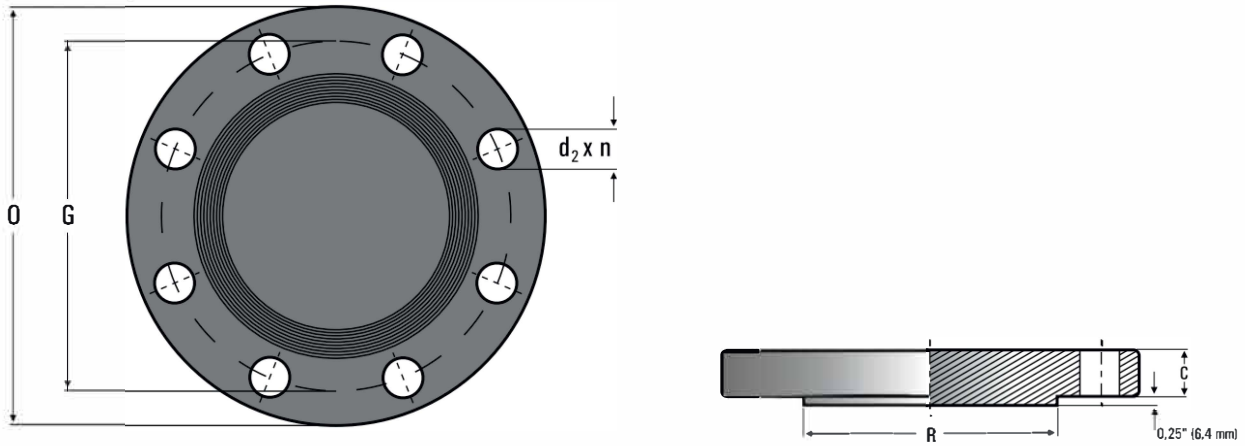


Blind Flange Class 600

(ASME B 16.5-1996 + MSS-SP 44 -1996) B16.47-A / B16.47-B

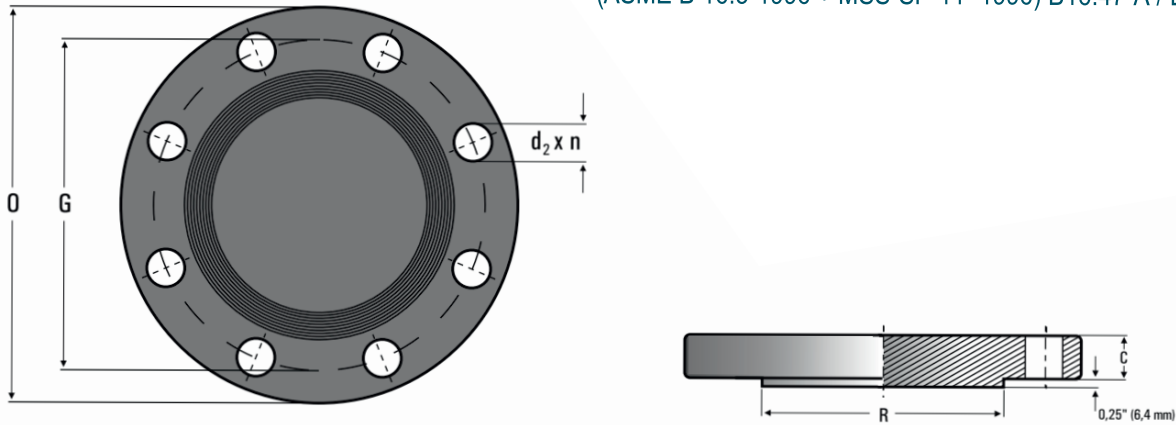


DN	PIPE NPS	O	Cmin	R	DRILLINGS			WEIGHT[kg]
					n	G	d2	
ASME B16.5-1996								
15	1/2"	95	14.2	34.9	4	66.7	15.8	1.4
20	3/4"	117	15.7	42.9	4	82.6	19	1.6
25	1"	124	17.5	50.8	4	88.9	19	2.1
32	1 1/4"	133	20.6	63.5	4	98.4	19	2.6
40	1 1/2"	156	22.4	73	4	114.3	22.2	3.3
50	2"	165	25.4	92.1	8	127	19	4.4
65	2 1/2"	190	28.4	104.8	8	149.2	22.2	6
80	3"	210	31.8	127	8	168.3	22.2	7.4
90	3 1/2"	229	35	139.7	8	184.1	25.4	9.5
100	4"	273	38.1	157.2	8	215.9	25.4	17
125	5"	330	44.5	185.7	8	266.7	28.5	27
150	6"	356	47.8	215.9	12	292.1	28.5	32
200	8"	419	55.6	269.9	12	349.2	31.8	46
250	10"	508	63.5	323.8	16	431.8	35	74
300	12"	559	66.5	381	20	489	35	90
350	14"	603	69.9	412.8	20	527	38.1	108
400	16"	686	76.2	469.9	20	603.2	41.1	150
450	18"	743	82.6	533.4	20	654	44.5	188
500	20"	813	88.9	584.2	24	723.9	44.5	230
600	24"	940	101.6	692.2	24	838.2	50.8	325

Dimensions are in mm.

Blind Flange Class 600

(ASME B 16.5-1996 + MSS-SP 44 -1996) B16.47-A / B16.47-B



PIPE		O	Cmin	R	DRILLINGS			WEIGHT[kg]
DN	NPS				n	G	d2	
ASME B16.5-1996								
1050	42"	1289	119.1	1136.6	32	1206.5	44.4	1219
1100	44"	1352.5	124	1193.8	32	1263.6	47.8	1396
1150	46"	1416	128.5	1244.6	28	1320.8	50.8	1581
1200	48"	1466.8	133.3	1301.7	32	1371.6	50.8	1760
1250	50"	1530.3	139.7	1358.9	32	1428.8	53.8	2005
1300	52"	1581.1	144.5	1409.7	32	1479.6	53.8	2215
1350	54"	1657.3	152.4	1466.8	28	1549.4	60.4	2568
1400	56"	1708.1	153.9	1517.6	28	1600.2	60.4	2932
1450	58"	1758.9	158.8	1574.8	32	1651	60.4	3009
1500	60"	1809.7	163.6	1625.6	32	1701.8	60.4	3283
ASME 8 16.47 1996 SERIE 8								
650	26"	867	88.9	736.6	32	803.1	35	-
700	28"	921	88.9	787.4	36	857.2	35	-
750	30"	991	93.7	844.6	36	920.8	38.1	-
800	32"	1054	103.1	901.7	32	977.9	41.1	-
850	34"	1108	103.1	952.5	36	1031.7	41.1	-
900	36"	1172	103.1	1009.6	32	1089.2	44.4	-
950	38"	1222	111.3	1060.4	36	1139.9	44.4	-
1000	40"	1273	115.8	1114.6	40	1190.8	44.4	-
1050	42"	1334	119.1	1168.4	36	1244.6	47.8	-
1100	44"	1384	127	1219.2	40	1295.4	47.8	-
1150	46"	1460	130	1270	36	1365.2	50.8	-
1200	48"	1511	134.9	1327.2	40	1416	50.8	-
1250	50"	1562	139.7	1378	44	1466.9	50.8	-
1300	52"	1613	144.3	1428.8	48	1517.8	50.8	-
1350	54"	1673	149.4	1479.6	48	1577.8	50.8	-
1400	56"	1765	157	1536.7	36	1651	60.5	-
1450	58"	1827	162.1	1593.9	40	1713	60.5	-
1500	60"	1878	166.6	1651	40	1763.8	60.5	-

Dimensions are in mm.