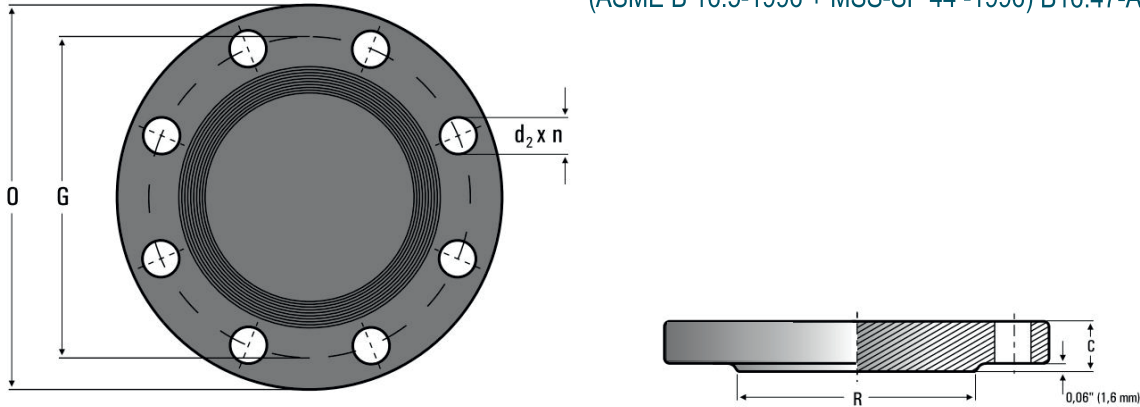


Blind Flange Class 300

(ASME B 16.5-1996 + MSS-SP 44 -1996) B16.47-A / B16.47-B



PIPE		O	Cmin	R	DRILLINGS			WEIGHT[kg]
DN	NPS				n	G	d2	
ASME B16.5-1996								
15	1/2"	95	14.2	34.9	4	66.7	15.8	1.5
20	3/4"	117	15.7	42.9	4	82.6	19	1.6
25	1"	124	17.5	50.8	4	88.9	19	2
32	1 1/4"	133	19	63.5	4	98.4	19	2.5
40	1 1/2"	156	20.6	73	4	114.3	22.2	3
50	2"	165	22.4	92.1	8	127	19	3.5
65	2 1/2"	190	25.4	104.8	8	149.2	22.2	5.5
80	3"	210	28.4	127	8	168.3	22.2	7
90	3 1/2"	229	30.2	139.7	8	184.1	22.2	9
100	4"	254	31.8	157.2	8	200	22.2	12
125	5"	279	35	185.7	8	235	22.2	15.8
150	6"	318	36.6	215.9	12	269.9	22.2	23
200	8"	381	41.1	269.9	12	330.2	25.4	37
250	10"	444	47.8	323.8	16	387.4	28.5	58
300	12"	521	50.8	381	16	450.8	31.8	83
350	14"	584	53.8	412.8	20	514.4	31.8	107
400	16"	648	57.2	469.9	20	571.5	35	139
450	18"	711	60.5	533.4	24	628.6	35	177
500	20"	775	63.5	584.2	24	685.8	35	223
600	24"	914	69.9	692.2	24	812.8	41.1	342
650	26"	971.5	84.1	749.3	28	876.3	44.4	505
700	28"	1035	90.4	800.1	28	939.8	44.4	615
750	30"	1092.2	95.2	857.2	28	996.9	47.8	705
800	32"	1149.3	100.1	914.4	28	1054.1	50.8	820
850	34"	1206.5	104.6	965.2	28	1104.9	50.8	950
900	36"	1270	111.3	1022.3	32	1168.4	53.8	1085
950	38"	1168.4	107.9	1028.7	32	1092.2	41.1	908
1000	40"	1238.2	114.3	1085.8	32	1155.7	44.4	1077

Dimensions are in mm