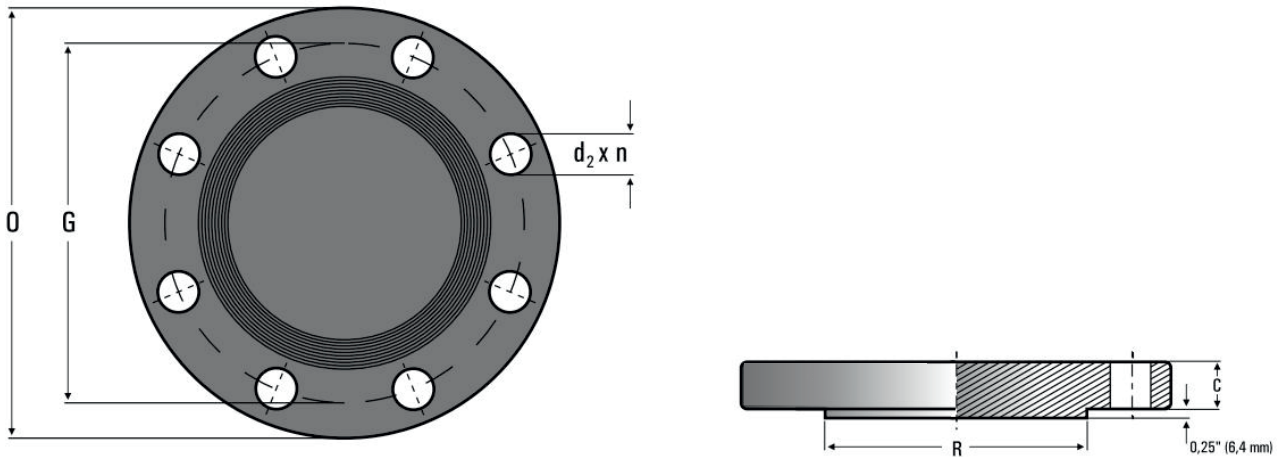


Blind Flange Class 2500

(ASME B 16.5-1996 + MSS-SP 44 -1996) B16.47-A / B16.47-B



PIPE		O	Cmin	R	DRILLINGS			WEIGHT[kg]
DN	NPS				n	G	d2	
ASME B16.5-1996								
15	1/2"	133	30.2	34.9	4	88.9	22.2	3.3
20	3/4"	140	31.8	42.9	4	95.3	22.2	3.9
25	1"	159	35	50.8	4	108	25.4	5
32	1 1/4"	184	38.1	63.5	4	130	28.5	8.1
40	1 1/2"	203	44.5	73	4	146	31.8	11.5
50	2"	235	50.8	92.1	8	171.5	28.5	17.6
65	2 1/2"	267	57.2	104.8	8	196.9	31.8	26
80	3"	305	66.5	127	8	228.6	35	39
100	4"	356	76.2	157.2	8	273	41.1	60
125	5"	419	91.9	185.7	8	323.9	47.8	100
150	6"	483	108	215.9	8	368.3	53.8	140
200	8"	552	127	269.9	12	438.2	53.8	236
250	10"	673	165.1	323.8	12	539.8	66.5	450
300	12"	762	184.2	381	12	619.3	73.2	650

Dimensions are in mm.