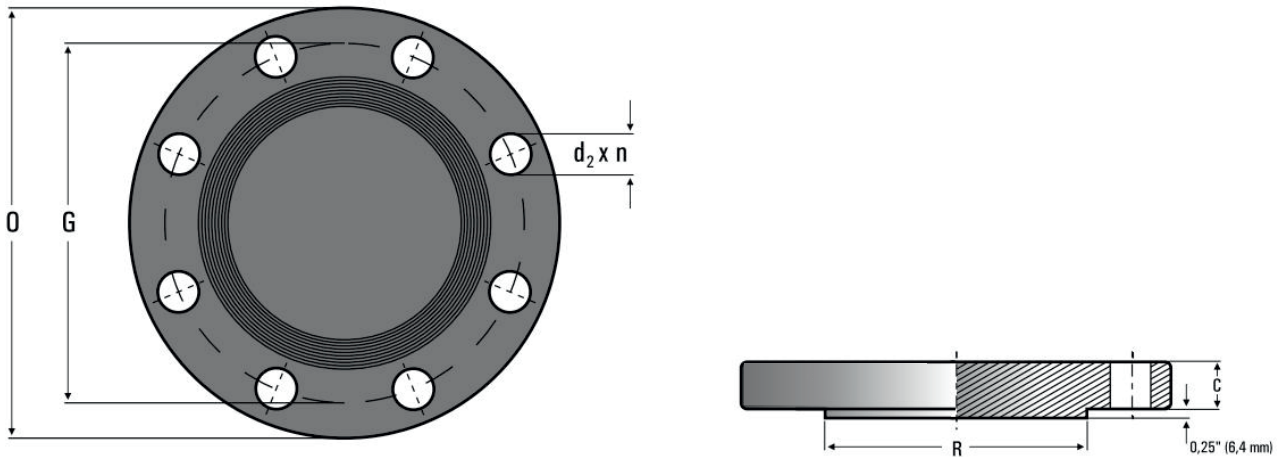


Blind Flange Class 1500

(ASME B 16.5-1996 + MSS-SP 44 -1996) B16.47-A / B16.47-B



PIPE		O	Cmin	R	DRILLINGS			WEIGHT[kg]
DN	NPS				n	G	d2	
ASME B16.5-1996								
15	1/2"	121	22.4	34.9	4	82.6	22.2	1.8
20	3/4"	130	25.4	42.9	4	88.9	22.2	2.7
25	1"	149	28.4	50.8	4	101.6	25.4	4
32	1 1/4"	159	28.4	63.5	4	111.1	25.4	5.8
40	1 1/2"	178	31.8	73	4	123.8	28.5	6.5
50	2"	216	38.1	92.1	8	165.1	25.4	11.5
65	2 1/2"	244	41.1	104.8	8	190.5	28.5	15.5
80	3"	267	47.8	127	8	203.2	31.8	22
100	4"	311	53.8	157.2	8	241.3	35	33
125	5"	375	73.2	185.7	8	292.1	41.1	60
150	6"	394	82.6	215.9	12	317.5	38.1	72
200	8"	483	91.9	269.7	12	393.7	44.5	122
250	10"	584	108	323.8	12	482.6	50.8	210
300	12"	673	124	381	16	571.5	53.8	315
350	14"	749	133.4	412.8	16	635	60.5	460
400	16"	826	146	469.9	16	704.8	66.5	610
450	18"	914	162	533.4	16	774.7	73.2	835
500	20"	984	177.8	584.2	16	831.8	79.2	1062
600	24"	1168	203.2	692.2	16	990.6	91.9	1712

Dimensions are in mm.