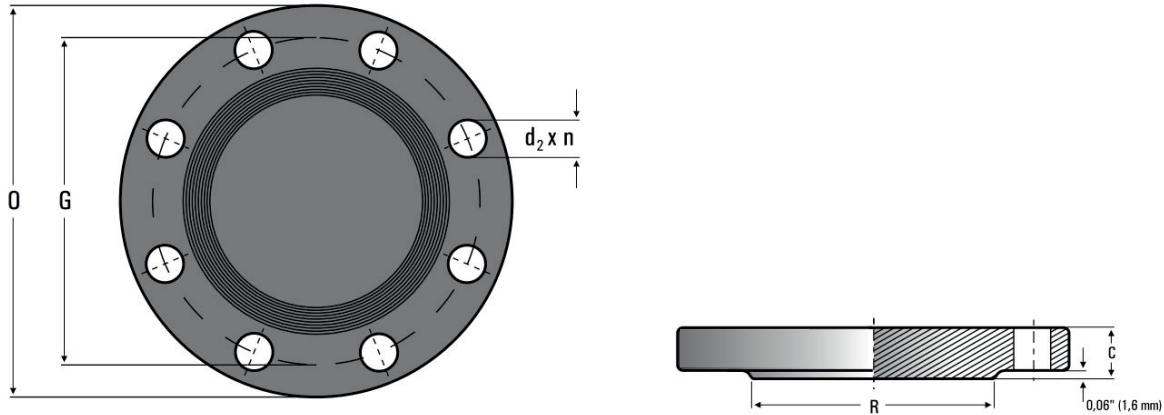


## Blind Flange Class 150

(ASME B 16.5-1996 + MSS-SP 44 -1996) B16.47-A / B16.47-B



PIPE		O	Cmin	R	DRILLINGS			WEIGHT[kg]
DN	NPS				n	G	d2	
<b>ASME B16.5-1996</b>								
15	1/2"	89	11.2	34.9	4	60.3	15.8	1.2
20	3/4"	99	12.7	42.9	4	69.8	15.8	1.3
25	1"	108	14.3	50.8	4	79.4	15.8	1.4
32	1 1/4"	117	15.7	63.5	4	88.9	15.8	1.8
40	1 1/2"	127	17.5	73	4	98.4	15.8	2.2
50	2"	152	19.1	92.1	4	120.6	19	2.8
65	2 1/2"	178	22.3	104.8	4	139.7	19	4.7
80	3"	190	23.9	127	4	152.4	19	5.5
90	3 1/2"	216	23.9	139.7	8	177.8	19	6.8
100	4"	229	23.9	157.2	8	190.5	19	8
125	5"	254	23.9	185.7	8	215.9	22,2	9
150	6"	279	25.4	215.9	8	241.3	22.2	12
200	8"	343	28.5	269.9	8	298.4	22.2	20
250	10"	406	30.2	323.8	12	362	25.4	32
300	12"	483	31.8	381	12	431.8	25.4	40
350	14"	533	35	412.8	12	476.2	28.5	59
400	16"	597	36.6	469.9	16	539.8	28.5	77
450	18"	635	39.7	533.4	16	577.8	31.8	95
500	20"	698	42.9	584.2	20	635	31.8	123
600	24"	813	47.7	692.2	20	749.3	35	186
<b>MSS-SP 44 • ASME B 16.47 1996 SERIE A</b>								
650	26"	869.9	68.3	749.3	24	806.4	34.9	323
700	28"	927.1	71.4	800.1	28	863.6	34.9	382
750	30"	984.2	74.7	857.2	28	914.4	34.9	450
800	32"	1060.4	80.8	914.4	28	977.9	41.3	560
850	34"	1111.2	82.6	965.2	32	1028.7	41.3	630
900	36"	1168.4	90.4	1022.3	32	1085.8	41.3	765
950	38"	1238.2	87.4	1073.1	32	1149.3	41.3	850
1000	40"	1289	90.4	1123.9	36	1200,1	41.3	955

Dimensions are in mm.